

# Self-survey specification form



Fill in this specification sheet to provide the relevant information for quoting

Name: .....  
 Address: ..... Postcode: .....  
 Mobile: ..... Phone: ..... Email: ..... Preferred contact method: .....

*CIRCLE AS REQUIRED (note: all windows come with new external cill)*

Product: Casement windows (CW) Sliding sash windows (SW) Angled Bay windows (ABW) Square Bay windows (SBW)  
 Composite front door (CD) Back door (BD) French Door (FD) Patio Door (PD) Bi-fold door (BFD)

Material: uPVC Aluminium

Handle colour: White Chrome Gold Silver

Glass decoration: None Square lead Diamond lead Internal Georgian bar External Astragal bar

Trickle ventilation Yes No

WINDOWS AND DOORS TO BE DRAWN AS VIEWED EXTERNALLY

Location:	Width:	Height:
	Product:	
Location:	Width:	Height:
	Product:	
Location:	Width:	Height:
	Product:	

WINDOWS AND DOORS TO BE DRAWN AS VIEWED EXTERNALLY

Location:	Width:	Height:
	Product:	
Location:	Width:	Height:
	Product:	
Location:	Width:	Height:
	Product:	

Special conditions or notes .....

# Self-survey specification form



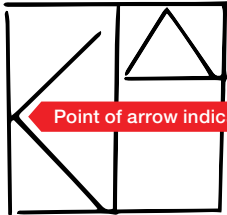
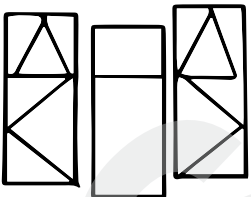
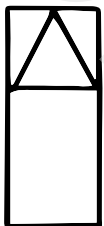
Fill in this specification sheet to provide the relevant information for quoting

Name: Mr A N Other  
 Address: 20 Stonecot Hill Sutton Surrey Postcode: SM2 9HE  
 Mobile: 07721 184 376 Phone: 020 8644 1010 Email: AN\_Other@gmail.com

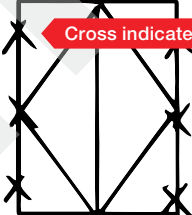
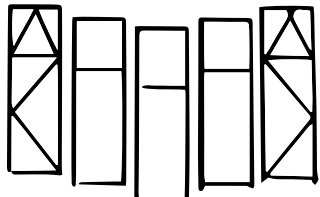
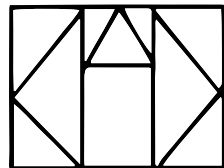
CIRCLE AS REQUIRED (note: all windows come with new external cill)

Product:  Casement windows (CW)  Sliding sash windows (SW)  Angled Bay windows (ABW)  Square Bay windows (SBW)  
 Composite front door (CD)  Back door (BD)  French Door (FD)  Patio Door (PD)  Bi-fold door (BFD)  
 Material:  uPVC  Aluminium  
 Handle colour:  White  Chrome  Gold  Silver  
 Glass decoration:  None  Square lead  Diamond lead  Internal Georgian bar  External Astragal bar  
 Trickle ventilation  Yes  No

WINDOWS AND DOORS TO BE DRAWN AS VIEWED EXTERNALLY

Location: <u>Office</u>	Width: <u>1200</u>	Height: <u>1200</u>
 <p>Point of arrow indicates where opener is hinged</p>	Product:	<u>CW</u>
Location: <u>Front Bed 2</u>	Width: <u>600</u>	Height: <u>1200</u>
	Product:	<u>ABW</u>
	<u>Each facet 600mm</u>	
Location: <u>Bathroom</u>	Width: <u>600</u>	Height: <u>1300</u>
	Product:	<u>CW</u>
	<u>Obscure glass</u>	

WINDOWS AND DOORS TO BE DRAWN AS VIEWED EXTERNALLY

Location: <u>Dining room</u>	Width: <u>1400</u>	Height: <u>2100</u>
 <p>Cross indicates where door is hinged</p>	Product:	<u>FD</u>
Location: <u>Lounge</u>	Width: <u>600</u>	Height: <u>1550</u>
	Product:	<u>ABW</u>
	<u>Each facet 500mm</u>	
Location: <u>Rear bed</u>	Width: <u>1800</u>	Height: <u>1250</u>
	Product:	<u>CW</u>

Special conditions or notes .....